



LEDHUY S

COMFORT DUURZAAM ENERGIEZUINIG

DOME comfort

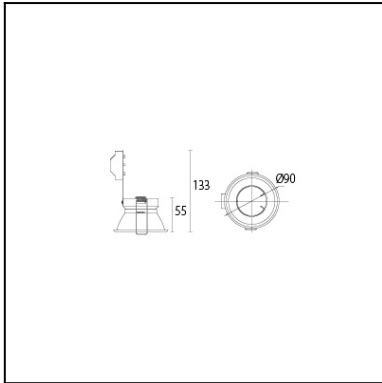
04.01.0645



Design by JOSEP PATSI



The photograph may not match the reference exactly. Please read the product description to identify the finish.



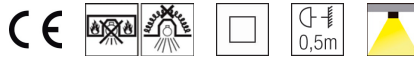
Download photometric file .ldt /.ies

Description

A round downlight for recessed installation, with high visual comfort avoiding problems of dazzling. Housing made in repelled steel plate and light fixing springs in stainless steel with high resistance to mechanical deformation. Fixed version (not directable). GU10 and GU5.3 lampholders (both included).

TECHNICAL CHARACTERISTICS

Type:	DOWNLIGHT RECESSED
IP Protection degrees:	IP23
Light source 1:	1 x GU5.3
Bulb specified at the product label	50W
Total power consumption (W):	50
Voltage / Frequency:	230V-12V/50-60Hz
Warranty:	2
Units per box:	80
Net Weight (Kg):	0.000



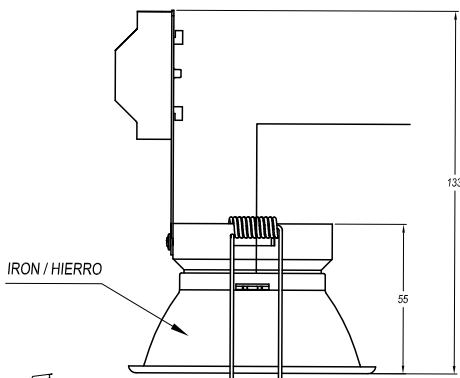
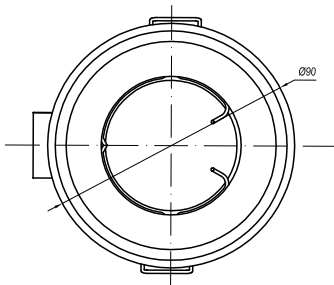
MATERIALS / FINISHES

Structure material: Steel

Structure finish: White

GEAR

This item requires gear. It is not included.



SCALE 1:1 / ESCALA 1:1

05-11-12