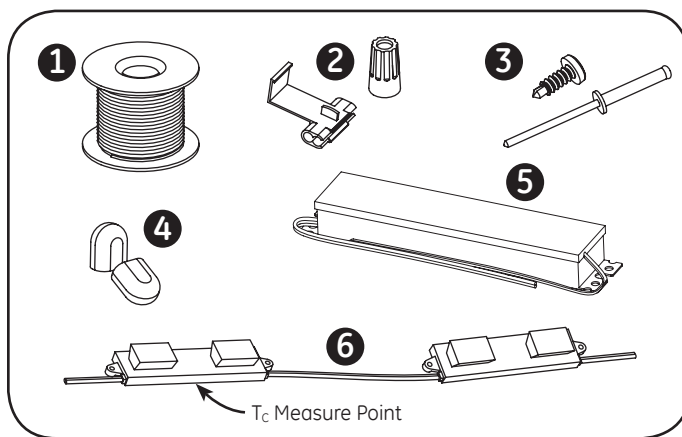


Tetra® EdgeStrip

LED Lighting System

(GEWHBIP2, GEWHBIP2-50K, GEWWBIP2-41K, GEWWBIP2, GEBIH71-1, GEBIH50-1, GEBIH41-1, GEBIH32-1)

Components



- 1 UL approved 18 AWG (0.82 mm²) supply wire
- 2 UL approved 22-14 AWG (0.33-2.08 mm²) wire connectors or 22-18 AWG (0.33-0.82 mm²) in-line/IDC connectors
- 3 #6 or #8 (M3 or M4) screws, 1/8 inch (3.2 mm) rivets or electrical grade silicone
- 4 End caps
- 5 Tetra® 24 Volt Power Supply
- 6 Tetra® EdgeStrip LED modules



BEFORE YOU BEGIN

Read these instructions completely and carefully.

⚠ WARNING/AVERTISSEMENT

RISK OF ELECTRIC SHOCK

- Turn power off before inspection, installation or removal.
- Properly ground Tetra® power supply enclosure.

RISK OF FIRE

- Use only UL approved wire for input/output connections. Minimum size 18 AWG (0.82mm²).
- Follow all NEC and local codes.

RISQUES DE DÉCHARGES ÉLECTRIQUES

- Coupez l'alimentation avant l'inspection, l'installation ou le déplacement.
- Assurez-vous de correctement mettre à terre l'alimentation électrique Tetra®.

RISQUES D'INCENDIE

- N'utilisez que des fils approuvés par UL pour les entrées/sorties de connexion. Taille minimum 18 AWG (0.82mm²).
- Respectez tous les codes NEC et codes locaux.

Save These Instructions

Use only in the manner intended by the manufacturer. If you have any questions, contact the manufacturer.

Prepare Electrical Wiring



Electrical Requirements

- Do not use in wet locations.
- The grounding and bonding of the LED Driver shall be done in accordance with National Electric Code (NEC) Article 600.
- Follow all National Electric Codes (NEC) and local codes.



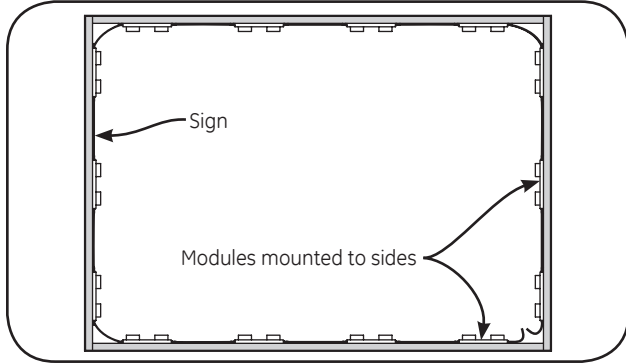
imagination at work

Retrofit Preparation

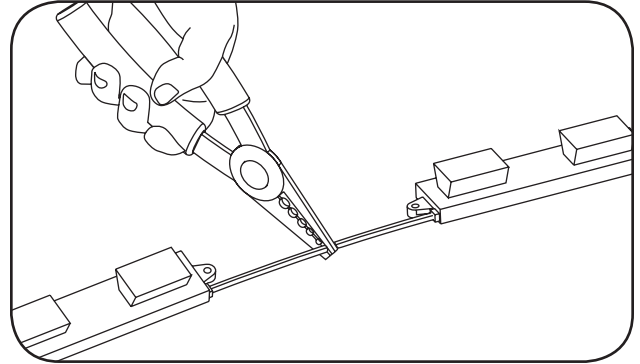
Make sure the removal of lighting equipment does not compromise the integrity of the sign body (i.e. water intrusion). Fill in all holes 0.5 in. (13 mm) or smaller with the appropriate amount of rated caulk or sealant. For holes greater than 0.5 in. (13mm), use an aluminum or zinc coated steel patch with rivets and sealant. Clean and remove all debris from inside of the sign before proceeding.

NOTE: Follow all federal and local regulations when disposing of fluorescent tubes, transformers and ballasts.

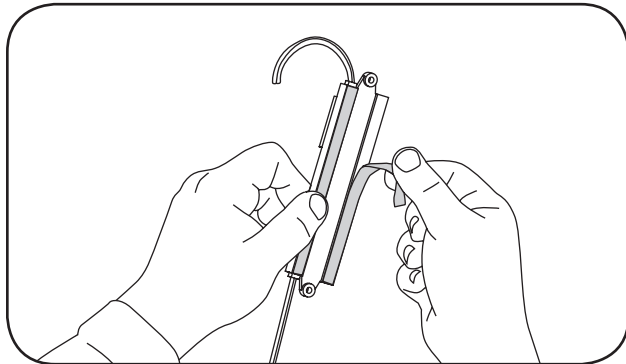
Layout LED Modules



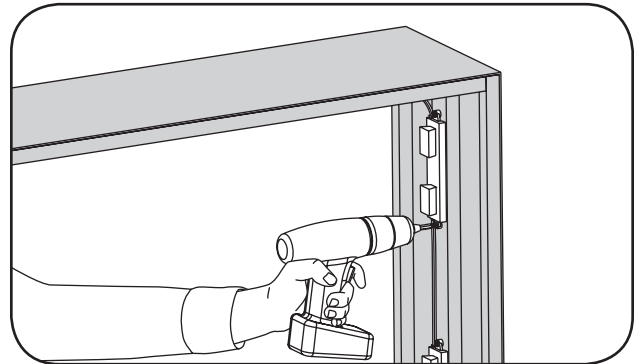
- 1 Determine location of where LED modules will be mounted based on sign dimensions (see chart). If mounting on bottom of sign, the use of a riser will be needed (minimum 1/8 in. distance between bottom surface and module).



- 2 Determine how many modules are required for your application and cut where necessary.
NOTE: Cuts can be made between any of the LED modules.



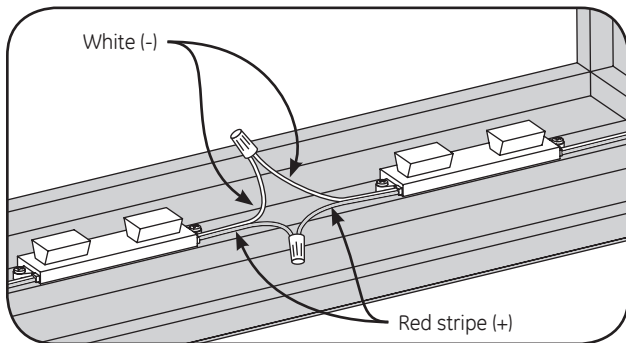
- 3 Peel off backing to expose adhesive tape and stick LED modules into place.



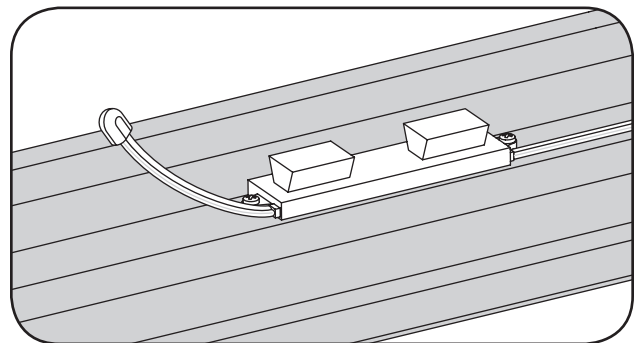
- 4 Use rivets, screws, or silicone to secure each module within the sign. Use #6 (M3) or #8 (M4) screws, 1/8-inch (3.2 mm) rivets, or silicone.

Electrical Connections

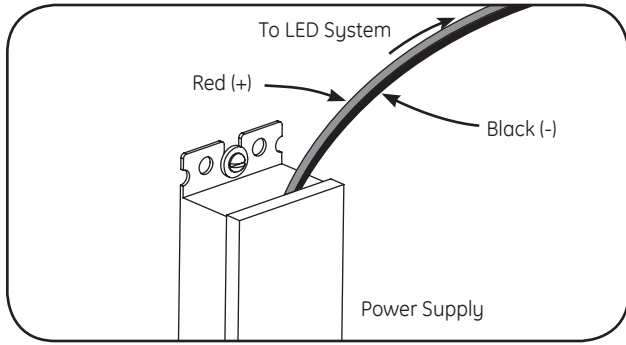
NOTE: Refer to the power supply installation instructions for loading and remote mounting information.



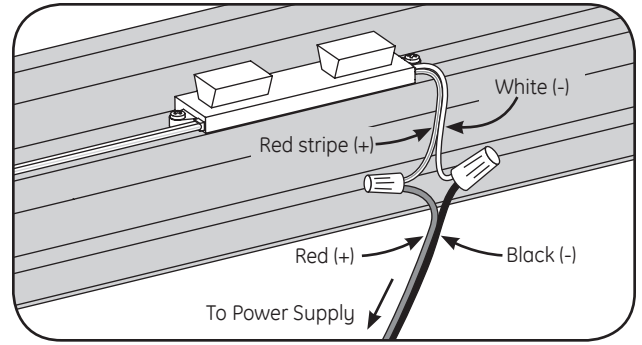
- 1 Connect modules using twist-on wire connectors or in-line (IDC) connectors. Join white wires together and red striped wires together.
NOTE: Additional supply wire may be necessary to bridge electrical connections.



- 2 Cap all exposed wires with appropriate end caps or apply electric grade (non-corrosive) silicone for additional weather protection.

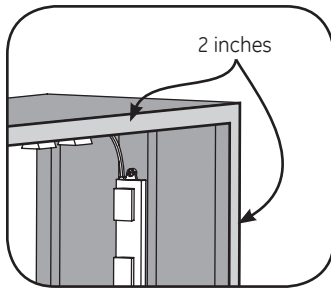


3 Run a wire from the Power Supply and connect to the first LED module on the strip.
Must be used with **Tetra® 24 Volt Power Supplies**.



4 Connect the red stripe wire (+) of the LED system to the red wire (+) of the power supply. Connect the white wire (-) of the LED system to the black wire (-) of the power supply.
NOTE: All electrical connections should be made within the box sign.

Design Guidelines



A 2 in. (51 mm) border is recommended along the perimeter of the sign.

All guidelines are based on a 3 in. (76mm) deep sign for Tetra® EdgeStrip and a 5 in. (127mm) deep sign for Tetra® EdgeStrip High Output. When installing the modules, it is typically recommended to install the modules across the longest distance to allow for the shortest light throw.

Height

	1 ft. (0.30 m)	2 ft. (0.61 m)	3 ft. (0.91 m)	4 ft. (1.22 m)	5 ft. (1.52 m)	6 ft. (1.83 m)	7 ft. (2.13 m)	
Width	1 ft. (0.30 m)	EdgeStrip: 1 side Modules/side: 1	EdgeStrip: 1 side Modules/side: 2	EdgeStrip: 1 side Modules/side: 3	EdgeStrip: 1 side Modules/side: 4	EdgeStrip: 1 side Modules/side: 5	EdgeStrip: 1 side Modules/side: 6	EdgeStrip: 1 side Modules/side: 7
	EdgeStrip HO: 1 side Modules/side: 1	EdgeStrip HO: 1 side Modules/side: 1	EdgeStrip HO: 1 side Modules/side: 1	EdgeStrip HO: 2 sides Modules/side: 1	EdgeStrip HO: 2 sides Modules/side: 1	EdgeStrip HO: 2 sides Modules/side: 1	EdgeStrip HO: 1 side Modules/side: 7	
	2 ft. (0.61 m)	EdgeStrip: 1 side Modules/side: 2	EdgeStrip: 1 side Modules/side: 3	EdgeStrip: 1 side Modules/side: 5	EdgeStrip: 1 side Modules/side: 6	EdgeStrip: 1 side Modules/side: 8	EdgeStrip: 1 side Modules/side: 9	EdgeStrip: 1 side Modules/side: 11
	EdgeStrip HO: 1 side Modules/side: 1	EdgeStrip HO: 1 side Modules/side: 2	EdgeStrip HO: 1 side Modules/side: 2	EdgeStrip HO: 1 side Modules/side: 4	EdgeStrip HO: 2 sides Modules/side: 2	EdgeStrip HO: 2 sides Modules/side: 2	EdgeStrip HO: 1 side Modules/side: 7	
	3 ft. (0.91 m)	EdgeStrip: 1 side Modules/side: 3	EdgeStrip: 1 side Modules/side: 5	EdgeStrip: 2 sides Modules/side: 5	EdgeStrip: 2 sides Modules/side: 6	EdgeStrip: 2 sides Modules/side: 8	EdgeStrip: 2 sides Modules/side: 9	EdgeStrip: 2 sides Modules/side: 11
	EdgeStrip HO: 1 side Modules/side: 1	EdgeStrip HO: 2 sides Modules/side: 1	EdgeStrip HO: 1 side Modules/side: 3	EdgeStrip HO: 1 side Modules/side: 4	EdgeStrip HO: 1 side Modules/side: 5	EdgeStrip HO: 1 side Modules/side: 6	EdgeStrip HO: 1 side Modules/side: 7	
	4 ft. (1.22 m)	EdgeStrip: 1 side Modules/side: 4	EdgeStrip: 1 side Modules/side: 6	EdgeStrip: 2 sides Modules/side: 6	EdgeStrip: 4 sides Modules/side: 6	EdgeStrip: 4 sides Modules/side: 6-8	EdgeStrip: 4 sides Modules/side: 6-9	EdgeStrip: 4 sides Modules/side: 6-11
	EdgeStrip HO: 2 sides Modules/side: 1	EdgeStrip HO: 1 side Modules/side: 4	EdgeStrip HO: 1 side Modules/side: 4	EdgeStrip HO: 2 sides Modules/side: 4	EdgeStrip HO: 2 sides Modules/side: 4	EdgeStrip HO: 2 sides Modules/side: 4	EdgeStrip HO: 2 sides Modules/side: 4	EdgeStrip HO: 2 sides Modules/side: 7
	5 ft. (1.52 m)	EdgeStrip: 1 side Modules/side: 5	EdgeStrip: 1 side Modules/side: 8	EdgeStrip: 2 sides Modules/side: 8	EdgeStrip: 4 sides Modules/side: 6-8	EdgeStrip: Not Recommended	EdgeStrip: Not Recommended	EdgeStrip: Not Recommended
	EdgeStrip HO: 2 sides Modules/side: 1	EdgeStrip HO: 2 sides Modules/side: 2	EdgeStrip HO: 1 side Modules/side: 5	EdgeStrip HO: 2 sides Modules/side: 4	EdgeStrip HO: 2 sides Modules/side: 5	EdgeStrip HO: 2 sides Modules/side: 5	EdgeStrip HO: 2 sides Modules/side: 7	
6 ft. (1.83 m)	EdgeStrip: 1 side Modules/side: 6	EdgeStrip: 1 side Modules/side: 9	EdgeStrip: 2 sides Modules/side: 9	EdgeStrip: 4 sides Modules/side: 6-9	EdgeStrip: Not Recommended	EdgeStrip: Not Recommended	EdgeStrip: Not Recommended	
EdgeStrip HO: 2 sides Modules/side: 1	EdgeStrip HO: 2 sides Modules/side: 2	EdgeStrip HO: 1 side Modules/side: 6	EdgeStrip HO: 2 sides Modules/side: 4	EdgeStrip HO: 2 sides Modules/side: 5	EdgeStrip HO: 2 sides Modules/side: 6	EdgeStrip HO: 2 sides Modules/side: 7		
7 ft. (2.13 m)	EdgeStrip: 1 side Modules/side: 7	EdgeStrip: 1 side Modules/side: 11	EdgeStrip: 2 sides Modules/side: 11	EdgeStrip: 4 sides Modules/side: 6-11	EdgeStrip: Not Recommended	EdgeStrip: Not Recommended	EdgeStrip: Not Recommended	
EdgeStrip HO: 1 side Modules/side: 7	EdgeStrip HO: 1 side Modules/side: 7	EdgeStrip HO: 1 side Modules/side: 7	EdgeStrip HO: 2 sides Modules/side: 7	EdgeStrip HO: 2 sides Modules/side: 7	EdgeStrip HO: 2 sides Modules/side: 7	EdgeStrip HO: 2 sides Modules/side: 7		

Troubleshooting

Symptom	Solution
Row of modules does not light	<ul style="list-style-type: none"> • Check wire connections to power supply to ensure red stripe-to-red and white-to-black connections. • Check row-to-row polarity connections.
Sign does not light	<ul style="list-style-type: none"> • Check input and output voltage and check power supply input/output connections. • Check polarity connections.
Individual modules do not light	<ul style="list-style-type: none"> • Remove module and replace with another working module.
Modules are dim	<ul style="list-style-type: none"> • Ensure the overall length of the Tetra® LED system does not exceed the maximum load. • Ensure the length and gauge of the supply wire is equal to or below the recommended remote mounting distance.

Specifications

Maximum Loading per Tetra® 24 VDC Power Supply

SKU	Rating	20W Power Supply <i>Note: Load shall not exceed 0.83A</i>	80W Dimming Power Supply <i>Note: Load shall not exceed 3.3A</i>	100W Power Supply <i>Note: Load shall not exceed 4.0A</i>	180W Power Supply <i>Note: Load shall not exceed 3.8A per each (of 2) output channels</i>
GEWHBIP2, GEWHBIP2-50K, GEWWBIP2-41K, GEWWBIP2	24VDC, 2.40W per module	7 modules/7 ft. (2.13 m)	30 modules/30 ft. (9.15 m)	37 modules/37 ft. (11.28 m)	33 modules/33 ft. (10.06 m) per output channel 66 modules/66 ft. (20.12 m) per power supply
GEBIH71-1, GEBIH50-1, GEBIH41-1, GEBIH32-1	24VDC, 5.40W per module	3 modules/3 ft. (0.91 m)	14 modules/14 ft. (4.27 m)	17 modules/18 ft. (5.49 m)	16 modules/16 ft. (4.88 m) per output channel 32 modules/32 ft. (9.75 m) per power supply

Maximum Remote Mounting Distance

	18 AWG/0.82 mm ² Supply Wire	16 AWG/1.31 mm ² Supply Wire	14 AWG/2.08 mm ² Supply Wire	12 AWG/3.31 mm ² Supply Wire
20W Power Supply	120 ft./36.6 m	-	-	-
80W Power Supply	20 ft./6.1 m	25 ft./7.6 m	35 ft./10.6 m	40 ft./12.1 m
100W Power Supply	20 ft./6.1 m	25 ft./7.6 m	35 ft./10.6 m	40 ft./12.1 m
180W Power Supply	20 ft./6.1 m	25 ft./7.6 m	35 ft./10.6 m	40 ft./12.1 m

Conforms to the following standards:



GE Lighting Solutions • 1-888-MY-GE-LED • www.gelightingsolutions.com

1 - 8 8 8 - 6 9 - 4 3 - 5 3 3

GE Lighting Solutions, LLC is a subsidiary of the General Electric Company. Tetra is a trademark of GE Lighting Solutions, LLC. The GE brand and logo are trademarks of the General Electric Company. © 2012 GE Lighting Solutions, LLC. Information provided is subject to change without notice. All values are design or typical values when measured under laboratory conditions.