

LED signage lighting systems

Visibly better

Tetra[®] Snap

GE current
a Daintree company

For those who don't have time to **screw around**

Tetra® Snap—our most innovative cabinet sign solution ever. Snap is a double-sided module that snaps into a screwless aluminum extrusion, allowing module spacing and brightness levels to be customized on-the-fly. **Tetra® Snap** is a one-size-fits-all product for cabinet signs. Say goodbye to stocking dozens of sticks. Say hello to **Tetra® Snap**.

Bright as a new penny

Tetra® Snap modules pump out 400 lumens each, and can be installed at three different spacings, for a maximum 1000 lumens per foot. No other cabinet sign product comes close.

Load 'em up

Load 32 **Tetra® Snap** modules per 100W power supply, enough to light a single 64" x 80" sign. 1 bag = 32 modules = 1 power supply. Easy as that.

One product to rule them all

The most flexible product on the market, **Tetra® Snap** is suitable for cabinets ranging from 10" to well over 36" in depth, all with the same material.

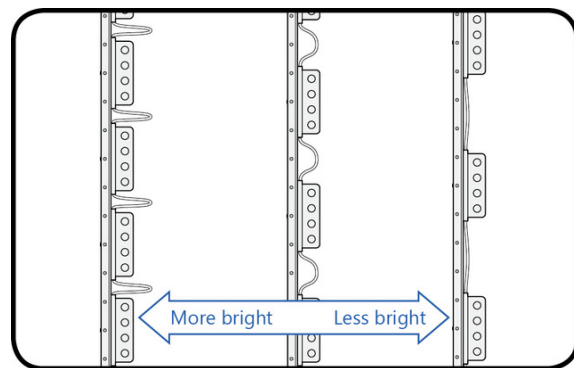
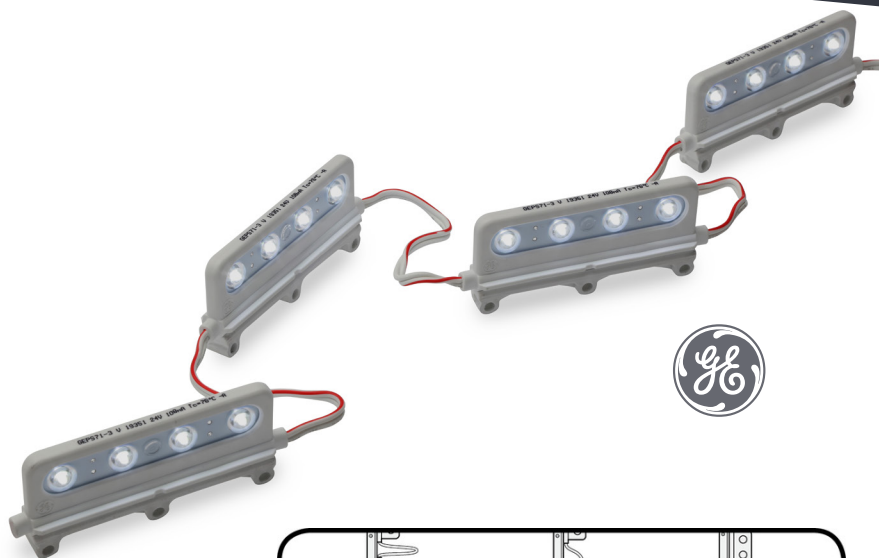
You may be wondering what the catch is. But it only gets better. Here's how to install Snap:

Step 1: Snap modules into extrusion.

Step 2: Install extrusion into sign.

Step 3: Plug in. Enjoy results.

No catch. **Tetra® Snap**.



Tetra® Snap Features

- Wide 170° beam angle
- Efficacy: 153 lm/W
- 24 Volt DC, Class 2 (UL), Class III (IEC)
- 5-year limited warranty

Spacing Guidelines

	Depth	Max Stroke
Double Sided	10" - <12"	13"
	12" - <14"	16"
	14" - <16"	18"
	>16"	20"

Brightness Chart

Our Brightness Chart provides a clear explanation of the light levels you can achieve using the same Tetra Snap modules and rail, as well as your customer's predicted* happiness levels.

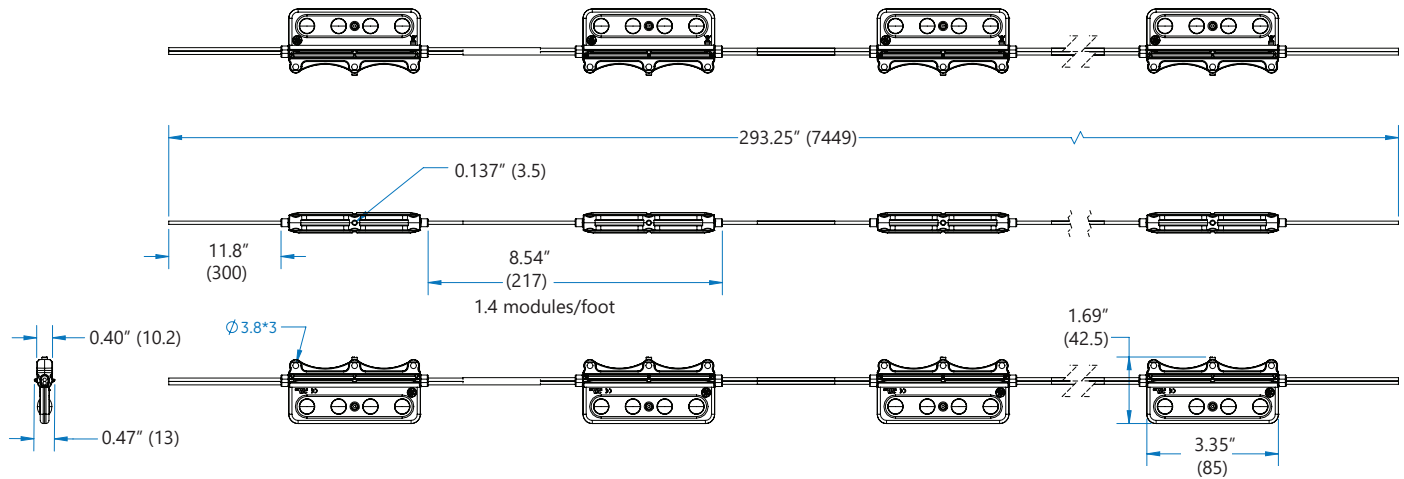
* Happiness levels estimated by our proprietary artificial intelligence algorithm[†]

[†] Marketing manager

Brightness level	Lumens per foot	Your inventory level	Your customer's happiness
Regular output	600	Low	😊
High output	750	Still low	😊😊
Ludicrous mode	1000	Yup, still low	😊😊😊

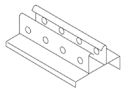
Mechanical Outline

Dimensions in inches. Metric equivalent (mm).



Accessories

SKU	Model Number	Description	Package Quantity
93130907	GEDSIC-3	Interconnector (to join two sections of rail)	20
93130908	GEDSTC-3	T-connector (to install perpendicular rails in a grid pattern)	20
93130909	GEDSFE-3	Frame endcap (for mounting directly to sign structures)	40
93130910	GEDSSE-3	Socket endcap (for mounting in existing sockets)	40
93128550	GEDSRL08-3	8 ft. rail	20



GEDSIC-3



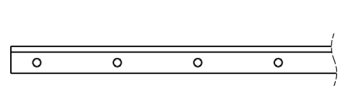
GEDSTC-3



GEDSFE-3



GEDSSE-3



GEDSRL08-3

Module Dimensions

Length	Width	Height
3.35"	1.69"	0.52"

Components

SKU	Model	Description	Color	Strip Quantity	Box Quantity
93128533	GEDS71-3	Tetra Snap DS 7100K	White	32 modules per strip. 1 strip/bag	7 bags (224 modules) per box
93128534	GEDS65-3	Tetra Snap DS 6500K	Warm White	32 modules per strip. 1 strip/bag	7 bags (224 modules) per box
93128535	GEDS57-3	Tetra Snap DS 5700K	Warm White	32 modules per strip. 1 strip/bag	7 bags (224 modules) per box
93128546	GEDS50-3	Tetra Snap DS 5000K	Warm White	32 modules per strip. 1 strip/bag	7 bags (224 modules) per box
93128547	GEDS41-3	Tetra Snap DS 4100K	Warm White	32 modules per strip. 1 strip/bag	7 bags (224 modules) per box
93128548	GEDS32-3	Tetra Snap DS 3200K	Warm White	32 modules per strip. 1 strip/bag	7 bags (224 modules) per box

Technical Specifications

Description	Wavelength/ CCT	Typical Brightness (Lumens/ module)	Typical Brightness (Lumens/foot)	Voltage	LEDs/ Module	Energy Consumption, Module/System (W)	Power Supply Loading	Viewing Angle
Tetra Snap	7100K, 6500K, 5700K, 5000K, 4100K	400	Regular output: 600 High output: 750 Ludicrous mode: 1000	24V	8	2.6/3.1	32 modules (21.3 ft)/ 100W PS	170°
	3200K	360	Regular output: 540 High output: 675 Ludicrous mode: 900					

Specification Item	Specification				
Cutting Resolution	Cut on wire between every module				
Module Spacing	1.4 modules/foot				
Extrusion Spacing	Regular output: 1.5 modules/foot High output: 1.9 modules/foot Ludicrous mode: 2.5 modules/foot				
Power Supply	Tetra 24V DC				
Maximum Supply Wire Limits		18 AWG/0.82 mm² Supply Wire	16 AWG/1.31 mm² Supply Wire	14 AWG/2.08 mm² Supply Wire	12 AWG/3.31 mm² Supply Wire
	25W Power Supply	120 ft./36.6 m	-	-	-
	80W Power Supply	20 ft./6.1 m	25 ft./7.6 m	35 ft./10.6 m	40 ft./12.1 m
	100W Power Supply	20 ft./6.1 m	25 ft./7.6 m	35 ft./10.6 m	40 ft./12.1 m
	180W Power Supply	20 ft./6.1 m	25 ft./7.6 m	35 ft./10.6 m	40 ft./12.1 m
300W Power Supply	20 ft./6.1 m	25 ft./7.6 m	35 ft./10.6 m	40 ft./12.1 m	
Operating Environment	-40 °C to +60 °C (-40 °F to +140 °F)				
Module Dimensions (L x W x H)	3.35" x 1.69" x 0.52"				
Warranty	Current offers a limited system warranty of up to five (5) years				
System Certifications	UL Recognized (c-us), UL Classified (c-us), CE, ROHS, IP66, UL Damp Rated				